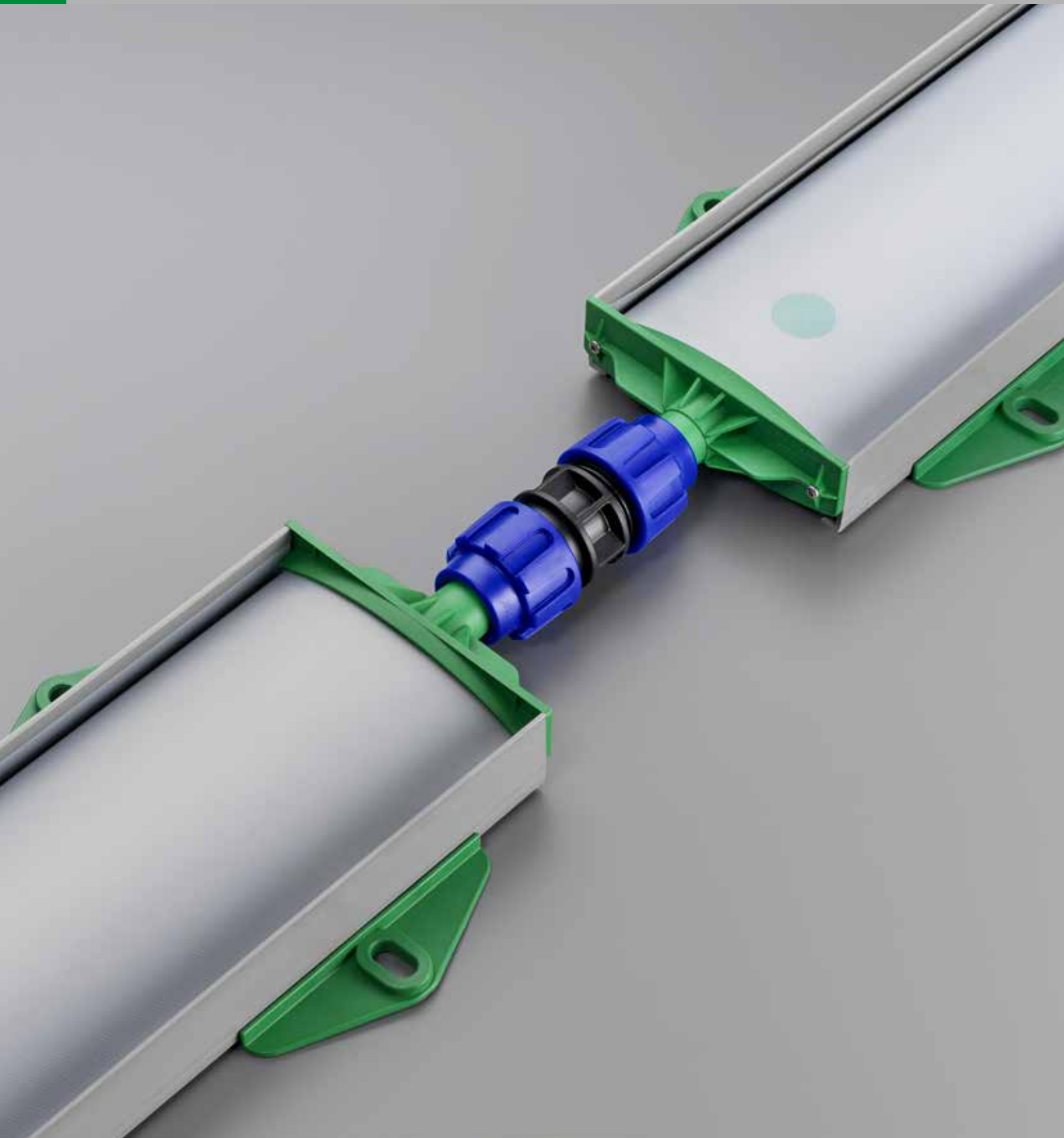
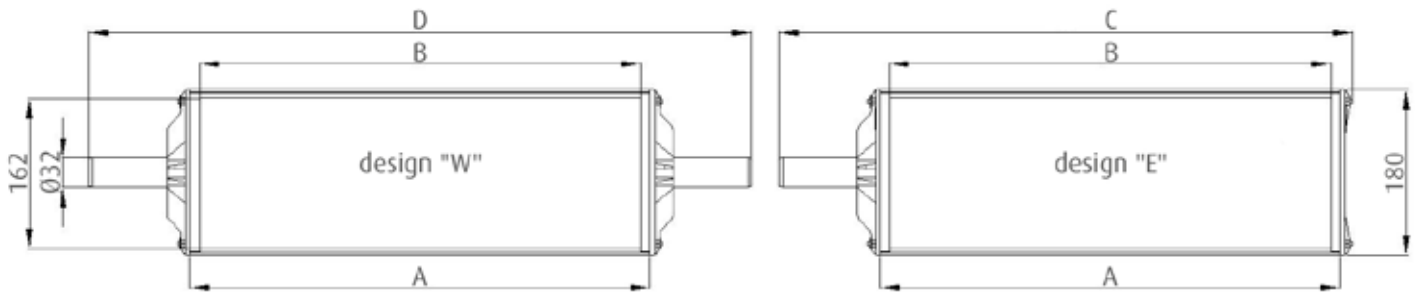


# JetFlex® SD 180 Strip Diffuser

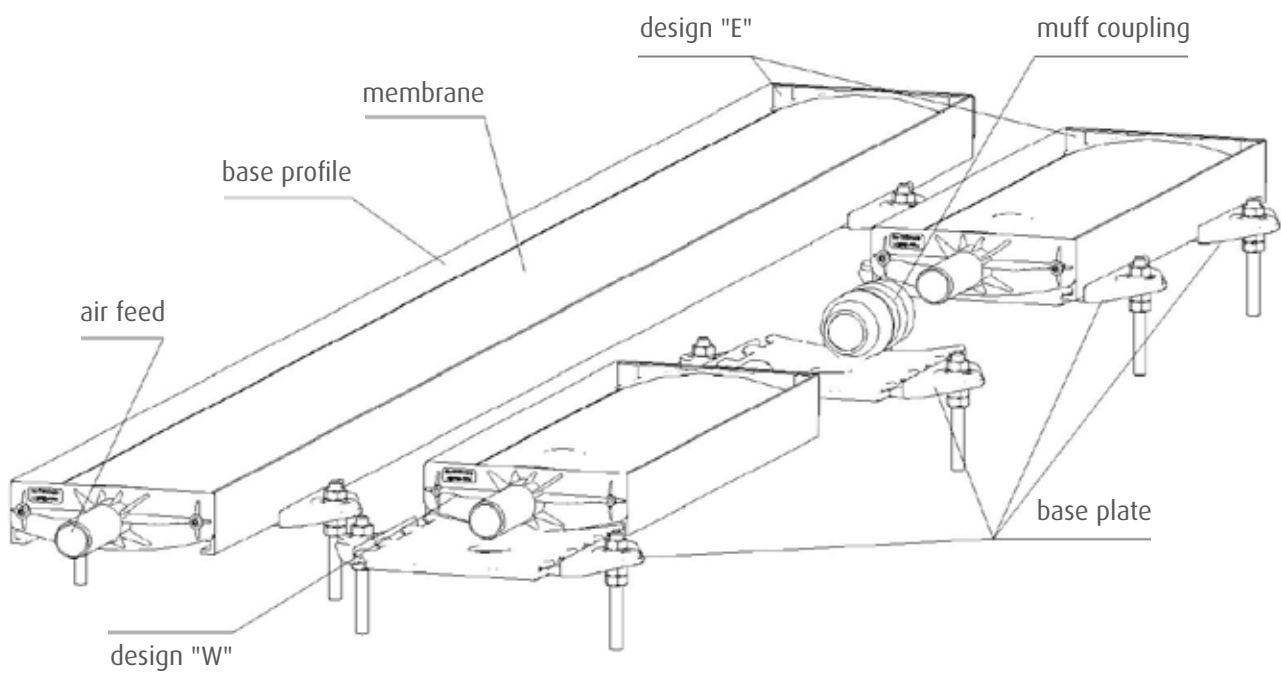


## Dimensions



	A [mm]	B [mm]	C [mm]	D [mm]	Air feed [mm]	Height [mm]	Weight [kg]	Active area [m <sup>2</sup> ]	Max. air rate [m <sup>3</sup> /h]
SD 180/1500	1500	1480	1620	1720	32	53	5,0	0,24	29
SD 180/2000	2000	1980	2120	2220	32	53	6,5	0,32	38
SD 180/3000	3000	2980	3120	3220	32	53	10	0,48	58
SD 180/4000	4000	3980	4120		32	53	13	0,64	76

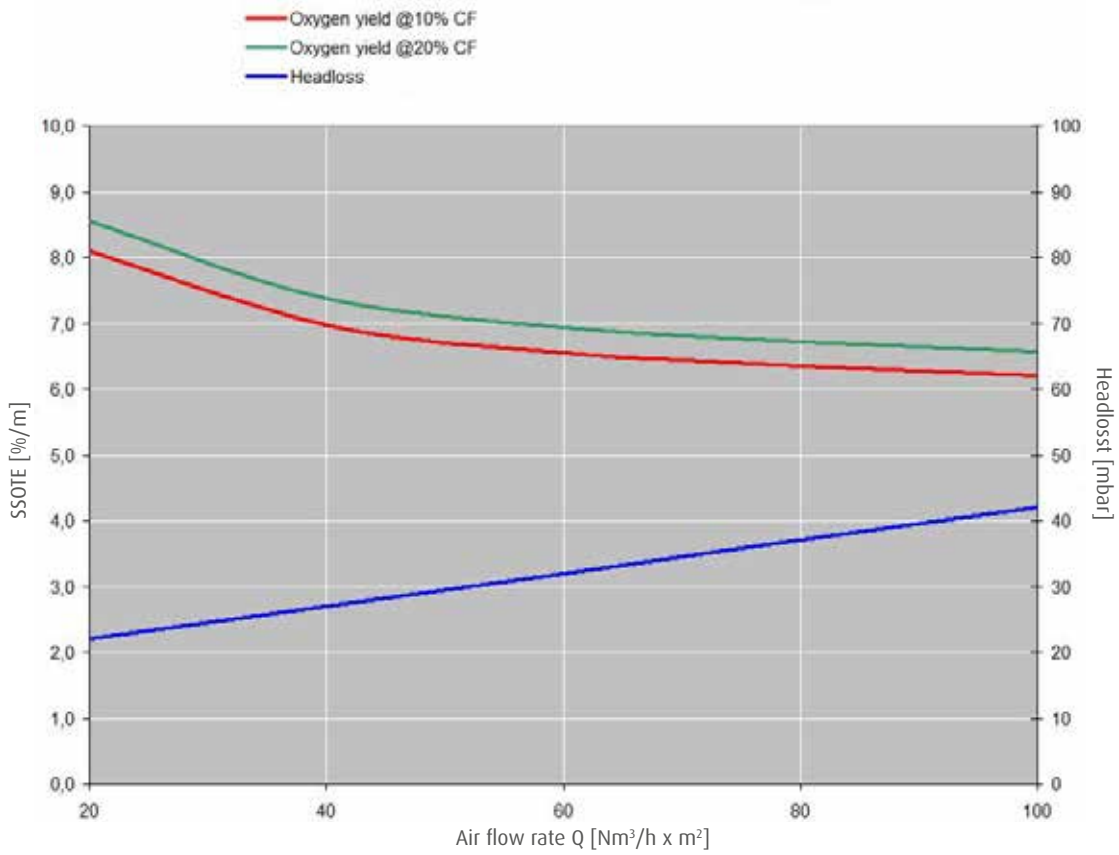
## Installation drawing



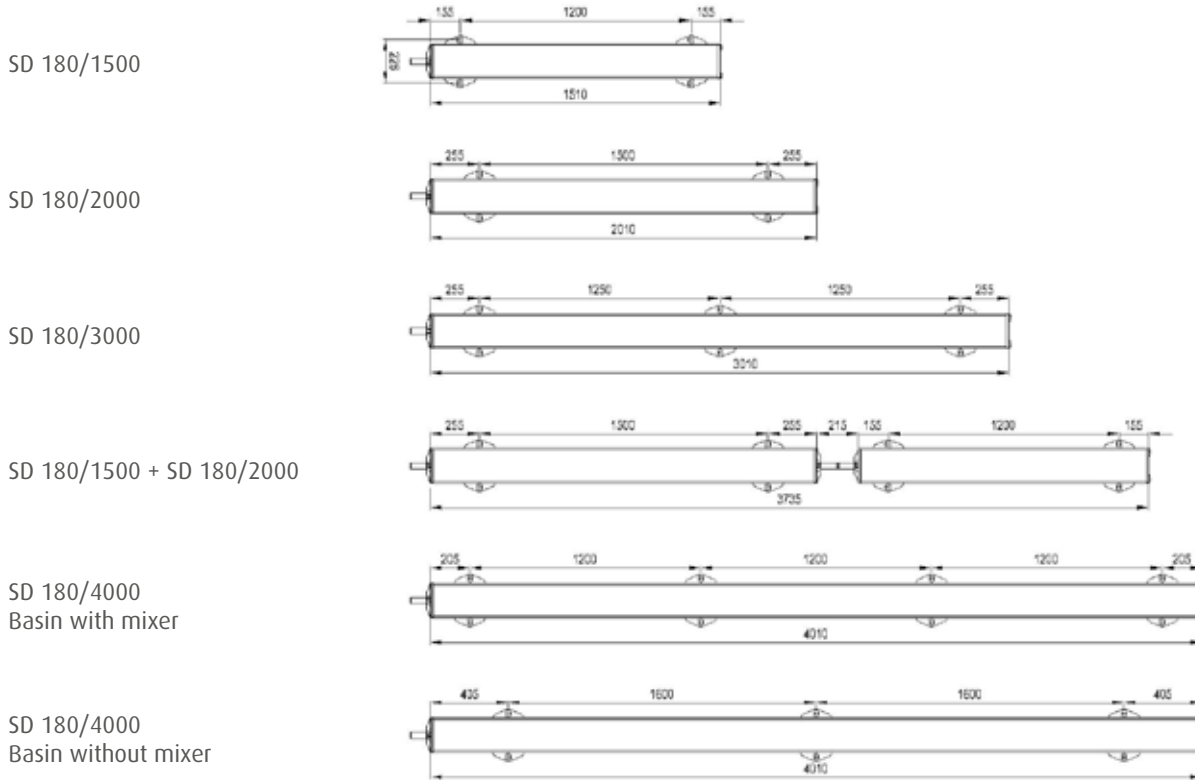


## Materials

Membrane	Base profile	Air feed and check valve	Base plate	Threaded joints
Polyurethane	PVC	PP 30%GF	PP 30%GF	A4 / AISI 316



## Number and distances of fastening plates for SD 180



## Accessories



base plate



muff coupling



**Jäger Umwelt-Technik GmbH**  
 Ruscheplattenstraße 14  
 31137 Hildesheim  
 Germany  
 ☎ +49 5121 9138 900  
 📠 +49 5121 9138 999  
 www.jaeger-envirotech.com  
 info@jaeger-envirotech.com



### Disclaimer

We exclude any liability for the information and product presentations provided. Contents of technical character are based on the date of publication. Existing copyrights and rights to the use of names remain unaffected.

